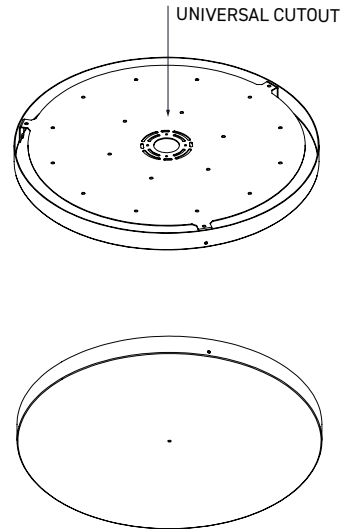
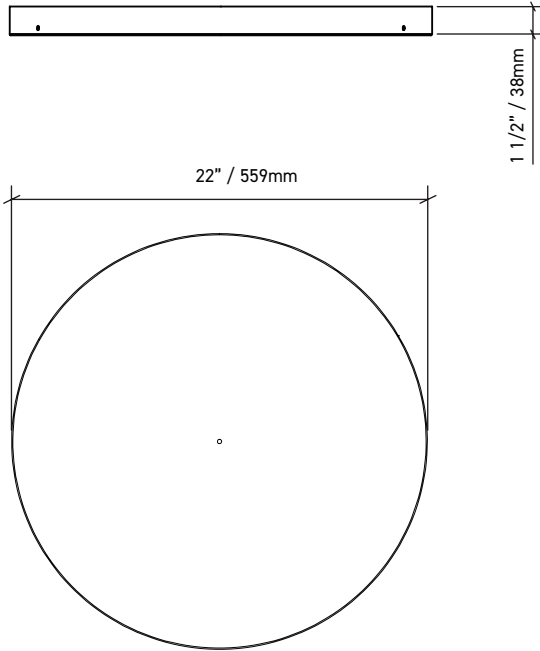


22"

CANOPY



VISO LIGHTING



□ Matte White ■ Matte Black

WITH MIRRORED ACRYLIC PLATE

